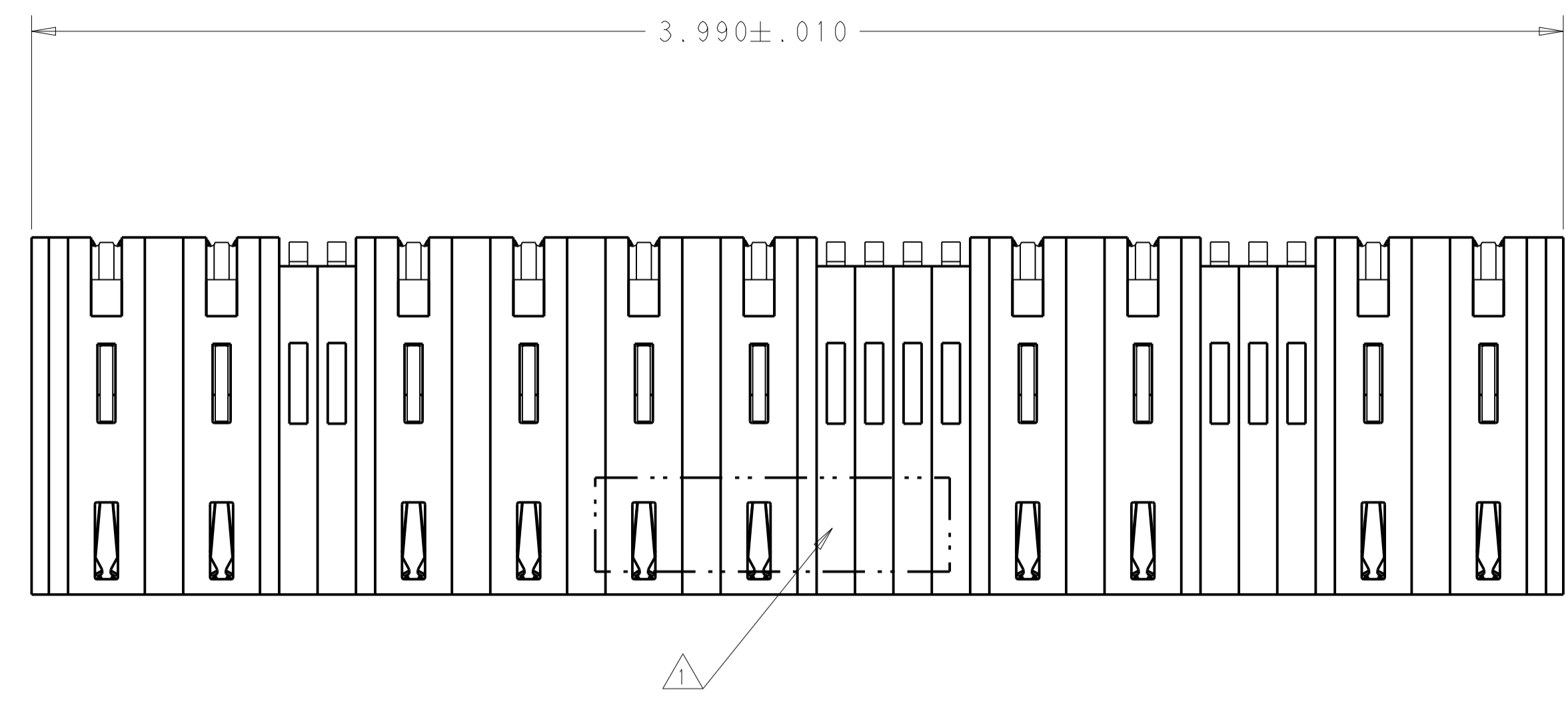
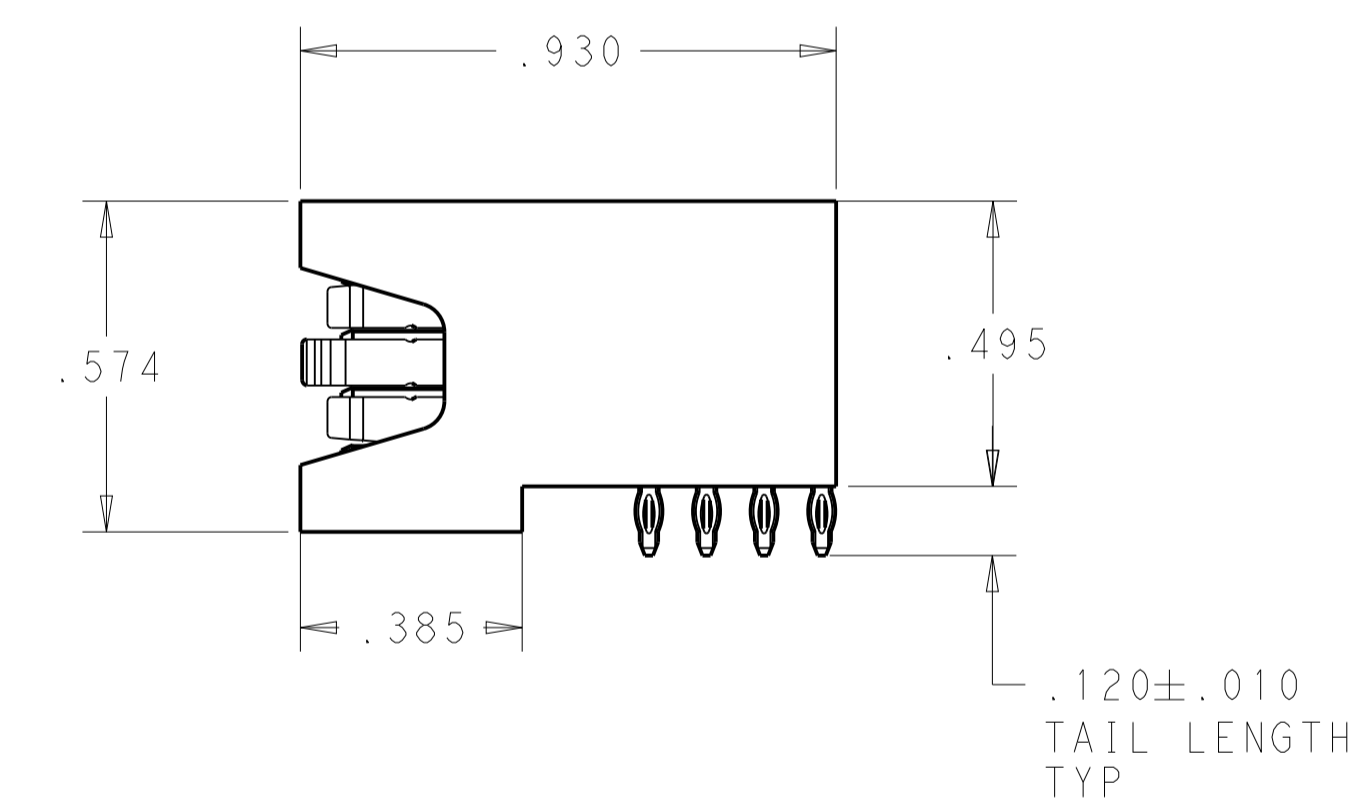
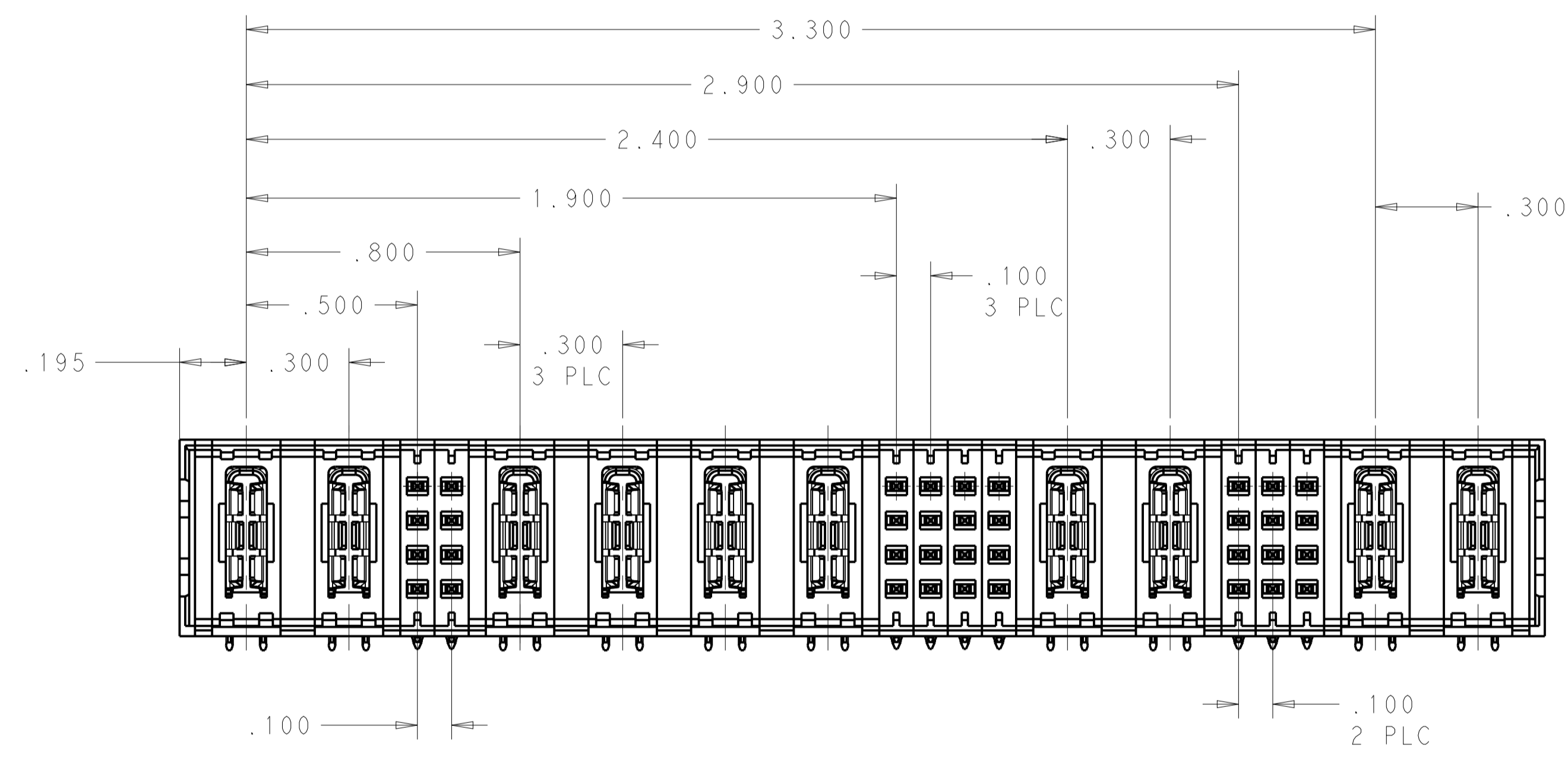


REVISIONS				
P.	LTN	DESCRIPTION	DATE	DWN APVD
A1		REVISED	28SEP2014	CZ SZ



- ① "AMP", PART NUMBER, AND DATECODE TO BE MARKED IN AREA SHOWN. PARTS UNDER 2.00 LONG MAY BE MARKED ON BOTH SIDES.
- ② MATERIAL: HOUSING - GLASS FILLED HIGH TEMP THERMO PLASTIC, BLACK, UL94 V-0
 SIGNAL CONTACT - COPPER ALLOY
 POWER CONTACT - HIGH CONDUCTIVITY COPPER ALLOY
- ③ CONTACT PLATING: SIGNAL CONTACTS - .000050 MIN Ni UNDER ALL.
 .000030 MIN Au ON CONTACT AREA.
 .000100 MIN Sn AT PCB INTERFACE.)
 POWER CONTACTS - .000050 MIN Ni UNDER ALL.
 .000030 MIN Au AT CONTACT AREA.
 .000100 MIN Sn AT PCB INTERFACE.
- ④ MECHANICAL CONNECTOR KEEP OUT ZONE.
- ⑤ DATUM AND BASIC DIMENSIONS ESTABLISHED BY CUSTOMER.
- ⑥ PCB - HOLE DIAMETERS ARE FINISHED HOLE SIZE.
- ⑦ PCB - .0453 ± .0010 DRILLED HOLES PLATED WITH .0003 MIN Sn OVER .001 TO .003 Cu PLATING TO ACHIEVE A .040 DIA HOLE.



2ACP+8S+4ACP+16S+2ACP+12S+2ACP	6450849-6
DESCRIPTION	PART NUMBER

THIS DRAWING IS A CONTROLLED DOCUMENT.		DWN C. ZHOU 28DEC2009	TE Connectivity	
DIMENSIONS: INCHES		CHK S. ZHAO 28DEC2009	NAME RIGHT ANGLE HEADER ASSEMBLY WITH GUIDELESS MULTI-BEAM XLE	
TOLERANCES UNLESS OTHERWISE SPECIFIED:		APVD	PRODUCT SPEC 108-2292	
0 PLC ±		APPLICATION SPEC 114-13251		
1 PLC ±		SIZE A1		
2 PLC ±		CAGE CODE DRAWING NO 00779		
3 PLC ±		DRAWING NO 6450849-6		
4 PLC ±		RESTRICTED TO		
ANGLES ±		WEIGHT		
FINISH		CUSTOMER DRAWING		
MATERIAL		SCALE 1:4 SHEET 1 OF 2 REV A1		

